

DIAL INDICATORS (LONG STROKE)

**INSPECTION
CERTIFICATE**
TRACEABLE TO NIST

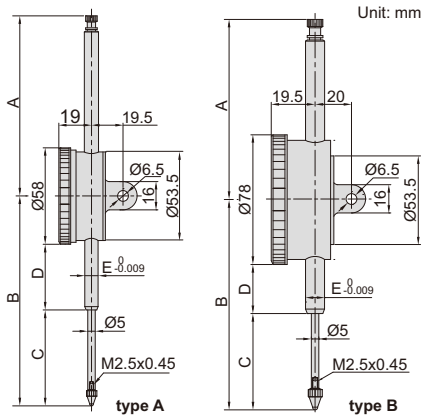
JEWELLED
BEARING

SHOCK
PROOF

- Shockproof
- Jeweled bearing
- Supplied with limit pointers
- Optional accessory: backs (page 167~168), contact points (page 164~166)



2309-50



stem clamp Ø10mm
for 2309-100D



back of type B



							(mm)	
Code	Type	A	B	C	D	E		
2309-30F	A	37.5	89.5	40.9	19.5	Ø8		
2309-30	A	37.5	89.5	40.9	19.5	Ø8		
2309-50	A	108.3	126.2	57.7	39.5	Ø8		
2309-50D	B	108.3	126.2	57.7	29.5	Ø8		
2309-80	A	138.4	168.4	88	51.3	Ø8		
2309-80D	B	138.4	168.4	88	41.3	Ø8		
2309-100D	B	167.6	207.8	108	60.8	Ø10		

Code	Range	Graduation	Type	Accuracy	Hysteresis	Range/rev	Dial reading	Remark
2309-30F*	30mm	0.01mm	A	35µm	7µm	1mm	0-100	flat back
2309-30*	30mm	0.01mm	A	35µm	7µm	1mm	0-100	lug back
2309-50*	50mm	0.01mm	A	40µm	8µm	1mm	0-100	flat back with spare lug back
2309-50D*	50mm	0.01mm	B	40µm	8µm	1mm	0-100	flat back with spare lug back
2309-80	80mm	0.01mm	A	50µm	9µm	1mm	0-100	flat back with spare lug back
2309-80D	80mm	0.01mm	B	50µm	9µm	1mm	0-100	flat back with spare lug back
2309-100D	100mm	0.01mm	B	50µm	9µm	1mm	0-100	flat back with spare lug back

Note: 1) 2309-80, 2309-80D and 2309-100D can only be used vertically

2) 2309-100D is supplied with stem clamp Ø10mm for magnetic stands (code 6200-60, 6201-60, 6202-80, 6202-100)

3) 2309-30 and 2309-30F can not accept optional backs (page 167~168)

* Supplied with manufacturer inspection certificate traceable to NIST USA